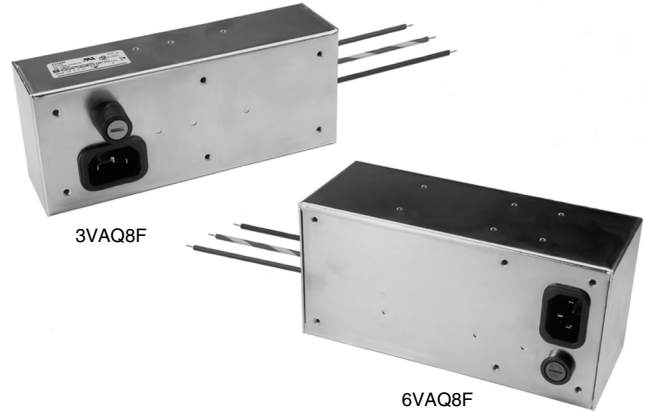


High Frequency Power Line Filter or Power Entry Module

AQ Series



UL Recognized
CSA Certified



AQ Series

The AQ series high frequency filters provide a low cost solution to the problem of power line noise at high frequencies.

With UL Recognition and CSA Certification, the AQ series is readily available to the customer who requires high common and differential mode performance from 10KHz to 1GHz. Models with "F" suffix incorporate an IEC connector and a fuseholder. Models with "S" suffix are supplied with a switch.

The AQ series is ideal for applications where computers are used to process secret or confidential information.

Electrical Schematics

3A Models

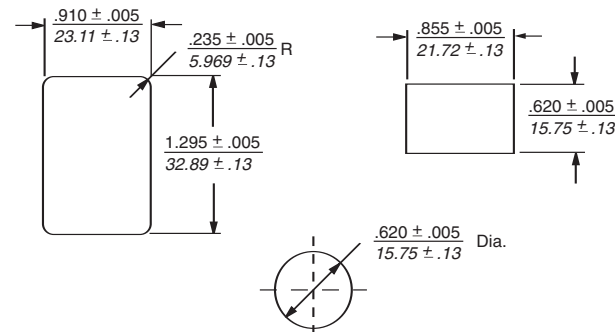


6A Models



Resistor location for reference only.

Recommended Panel Cutouts



Specifications

Maximum leakage current, each line-to-ground

	3A Models	6A Models
@ 120 VAC 60 Hz:	1.2mA	.7mA
@ 250 VAC 50 Hz:	2.3mA	1.2mA

Hipot rating (one minute):

line-to-ground	2250 VDC
line-to-line	1450 VDC

Operating frequency:

50/60 Hz

Rated voltage (max.):

250 VAC

Minimum insertion loss in dB:

Line-to-ground in 50 ohm circuit

Current Rating	Frequency-MHz								
	.01	.1	.5	1	10	50	100	300	1000
3A	10	80	88	88	100	100	100	93	85
6A	26	59	80	80	100	100	100	93	85

Line-to-line in 50 ohm circuit

Current Rating	Frequency-MHz								
	.01	.1	.5	1	10	50	100	300	1000
3A	6	51	78	88	100	100	100	93	85
6A	10	65	86	95	100	100	100	93	85

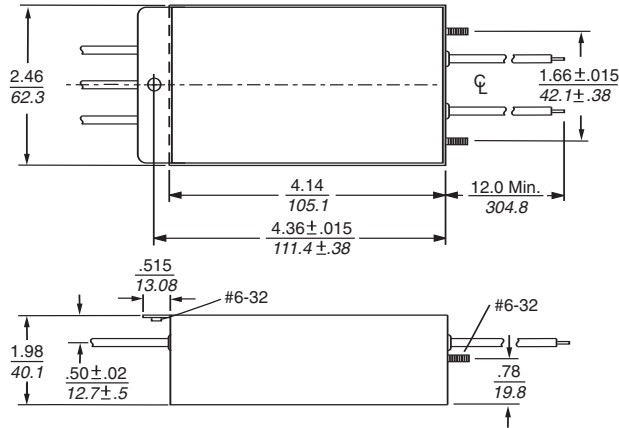
Part Numbers

3VAQ3	6VAQ3
3VAQ8F	6VAQ8F
3VAQ8FS	6VAQ8FS

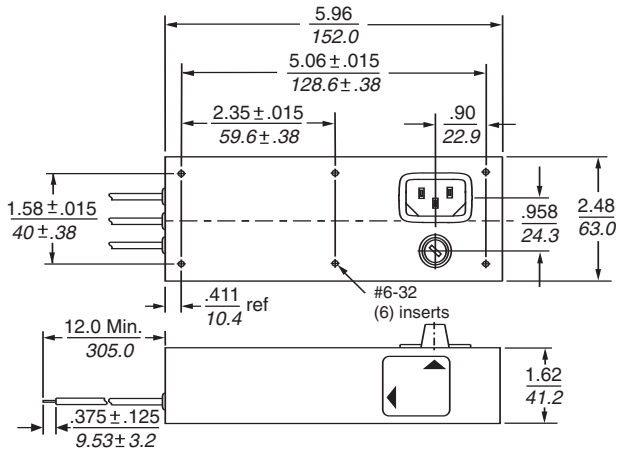
AQ Series

Case Styles and Dimensions

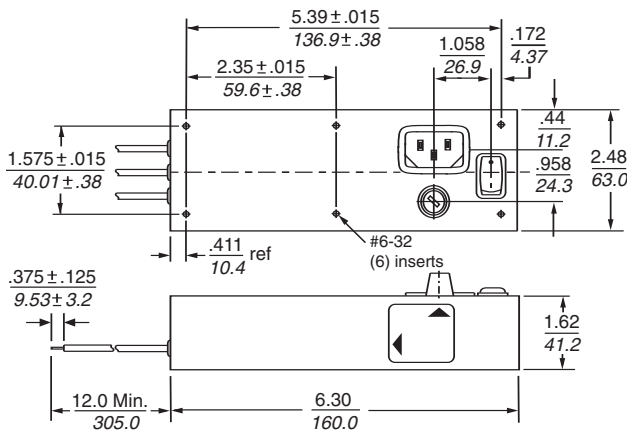
3VAQ3



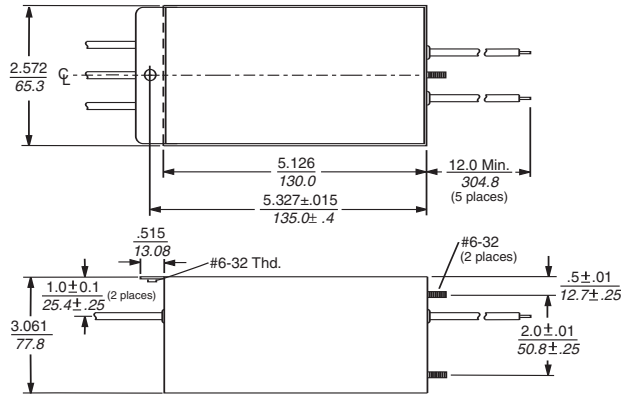
3VAQ8F



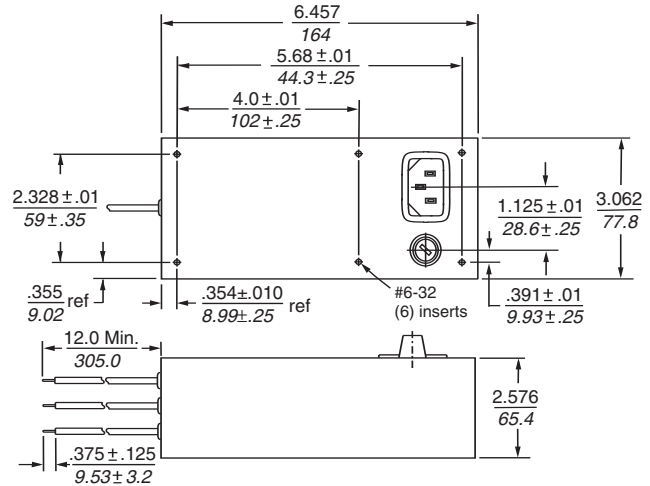
3VAQ8FS



6VAQ3



6VAQ8F



6VAQ8FS

